

**OBSOLETE PRODUCT
NO RECOMMENDED REPLACEMENT**
contact our Technical Support Center at
1-888-INTERSIL or www.intersil.com/tsc

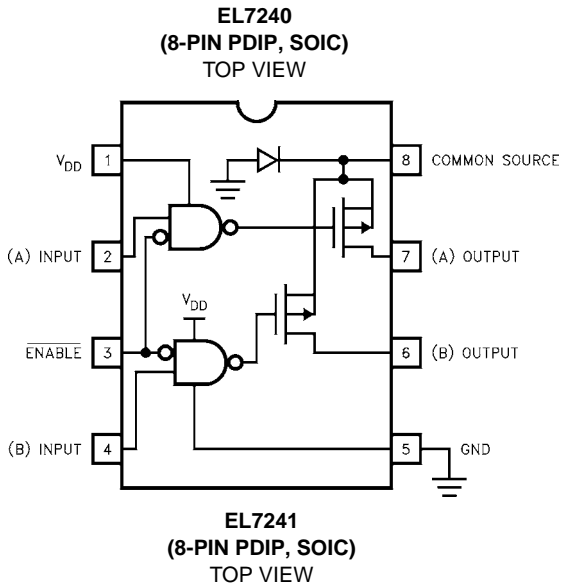
High Speed Coil Drivers



The EL7240/EL7241 high speed coil drivers accept logic inputs which independently control a pair of 3Ω

PMOS FET's. The output transistors share a common source, making these devices well suited for "current steering" and analog switching applications. The typical clamping diodes to ground are removed, thus allowing pins (6) and (7) to swing negative. This feature is desirable when driving "center-tapped" coils referenced to ground. The logic "NAND" input configuration can be used to "enable" the outputs. The EL7240 and EL7241 differ only by their logic polarity.

Pinouts



Features

- 20ns Propagation delay
- Clock to 10MHz
- 2 Amp peak output drive
- 3Ω output impedance
- 3V/5V Logic input compatible
- Outputs "OK" below ground
- Operating voltage 4.5V to 16V

Applications

- Tape drive-write head driver
- Current switching
- Center-Tapped transformer driver
- ATE-pin drivers
- Analog switching
- AC switching
- T - switch

Ordering Information

PART NUMBER	TEMP. RANGE	PACKAGE	PKG. NO.
EL7240CN	-40°C to +85°C	8-Pin PDIP	MDP0031
EL7240CS	-40°C to +85°C	8-Pin PSOIC	MDP0027
EL7241CN	-40°C to +85°C	8-Pin PDIP	MDP0031
EL7241CS	-40°C to +85°C	8-Pin PSOIC	MDP0027

Operating Voltage Range

PINS	MIN/MAX (VOLTS)
V _{DD} /GND	4.5/16
V _{DD} /Output	0/-20
Source/Output	0/-16
Output/GND	16/-10

EL7240, EL7241

Absolute Maximum Ratings (T_A = 25°C)

Supply (V+ to GND) 16.5V
 Input Pins -0.3V to +0.3V above V+
 Combined Peak Output Current4A
 Storage Temperature Range -65°C to +150°C

Ambient Operating Temperature -40°C to +85°C
 Operating Junction Temperature 125°C
 Power Dissipation
 SOIC570mW
 PDIP 1050mW

CAUTION: Stresses above those listed in "Absolute Maximum Ratings" may cause permanent damage to the device. This is a stress only rating and operation of the device at these or any other conditions above those indicated in the operational sections of this specification is not implied.

IMPORTANT NOTE: All parameters having Min/Max specifications are guaranteed. Typical values are for information purposes only. Unless otherwise noted, all tests are at the specified temperature and are pulsed tests, therefore: T_J = T_C = T_A

DC Electrical Specifications T_A = 25°C, V = 15V unless otherwise specified

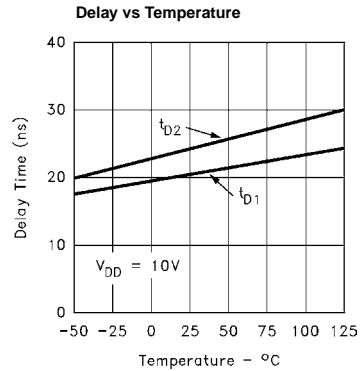
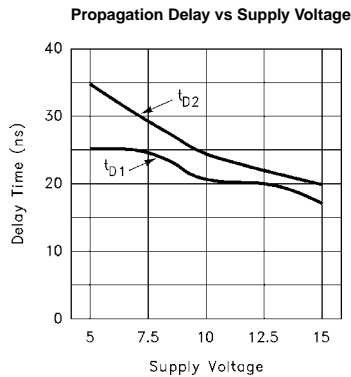
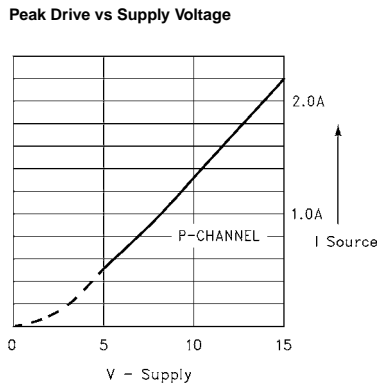
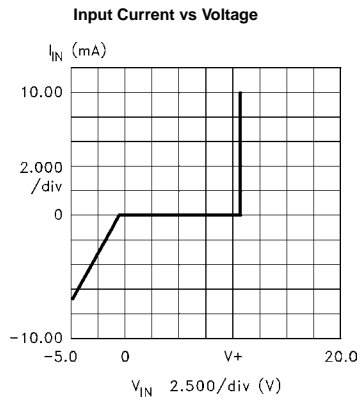
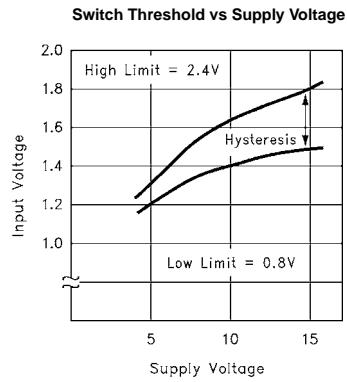
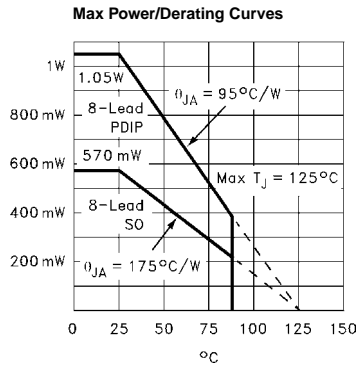
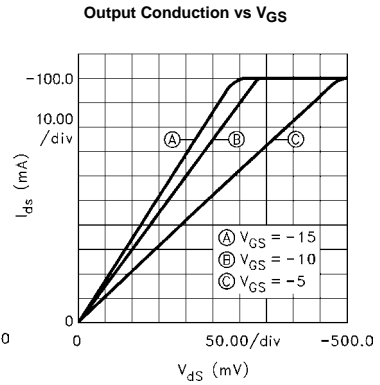
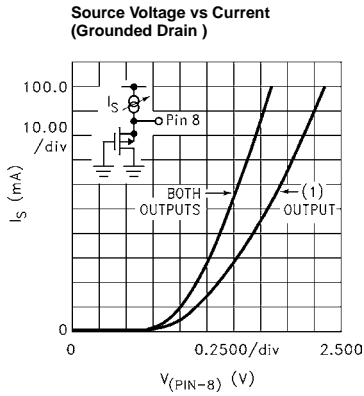
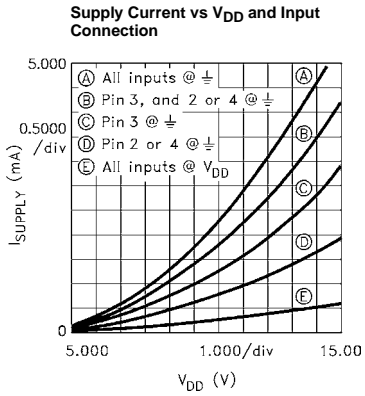
PARAMETER	DESCRIPTION	TEST CONDITIONS	MIN	TYP	MAX	UNITS
INPUT						
V _{IH}	Logic "1" Input Voltage		2.4			V
I _{IH}	Logic "1" Input Current	@V+		0.1	10	μA
V _{IL}	Logic "0" Input Voltage				0.8	V
I _{IL}	Logic "0" Input Current	@0V		0.1	10	μA
V _{HVS}	Input Hysteresis			0.3		V
OUTPUT						
R _{ON}	Pull-Up Resistance	I _{OUT} = -100mA		3	6	Ω
I _{OFF}	Off Leakage	V _{OUT} = 0V	0.2		10	μA
I _{PK}	Peak Output Current	Source		2.0		A
I _{DC}	Continuous Output Current	Channel	100			mA
V _S	Source Potential with Grounded Drain	Channel A or B, 100mA Load		2.3	2.75	V
POWER SUPPLY						
I _S	Power Supply Current	Inputs High		1	2.5	mA
V _S	Operating Voltage		4.5		16	V

AC Electrical Specifications T_A = 25°C, V = 15V unless otherwise specified

PARAMETER	DESCRIPTION	MIN	TYP	MAX	UNITS
SWITCHING CHARACTERISTICS					
t _{D-ON}	Turn-On Delay Time		18	25	ns
t _{D-OFF}	Turn-Off Delay Time		20	25	ns

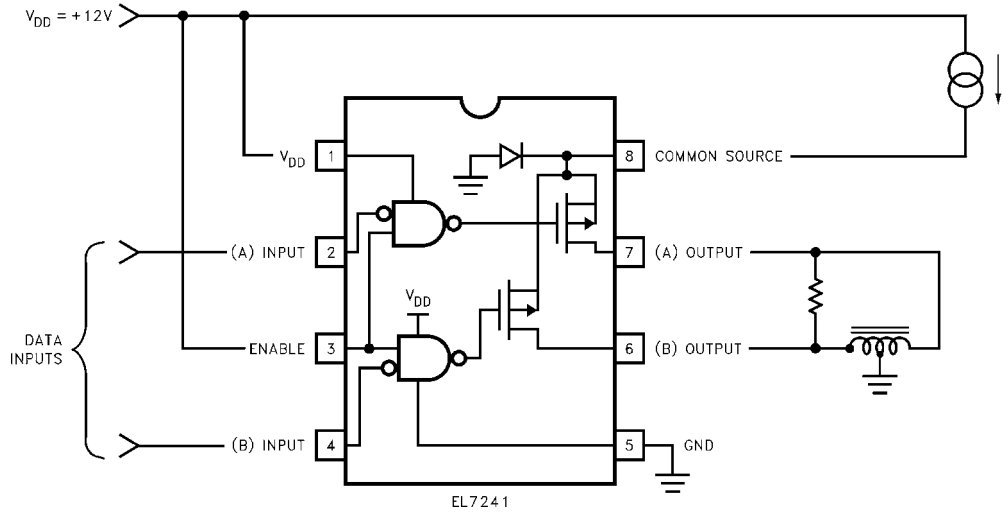
Rise and Fall times (t_R and t_F) are load dependent.

Typical Performance Curves

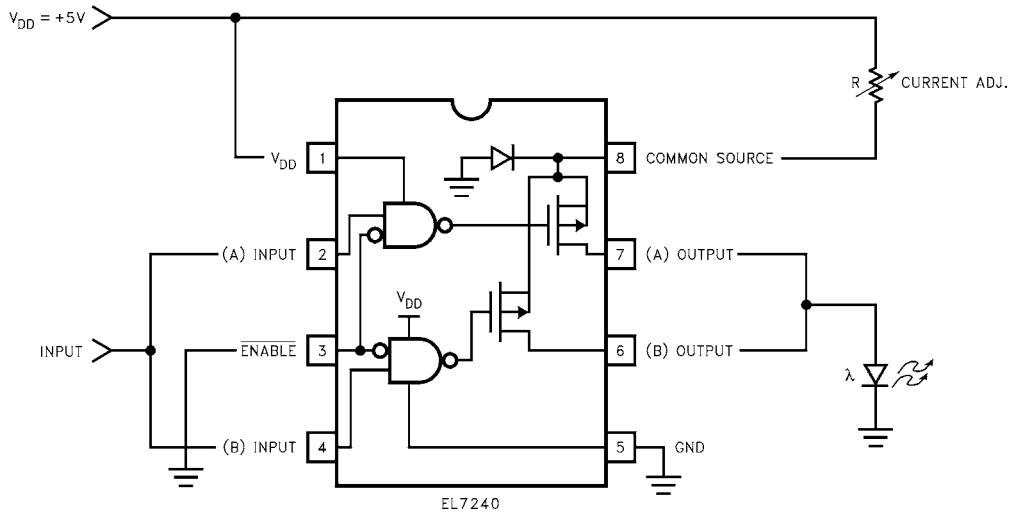


Typical Applications

Write Head Driver

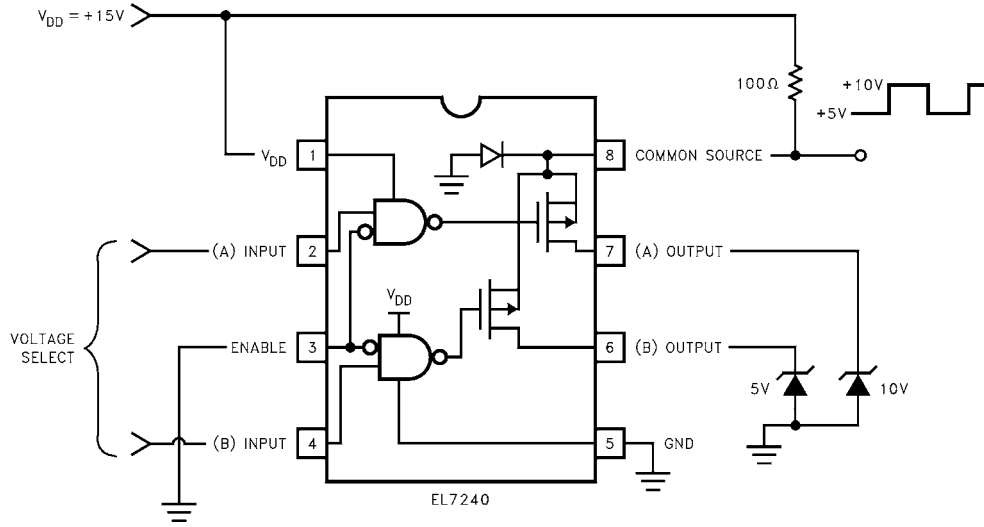


High Current LED/Laser Diode Driver

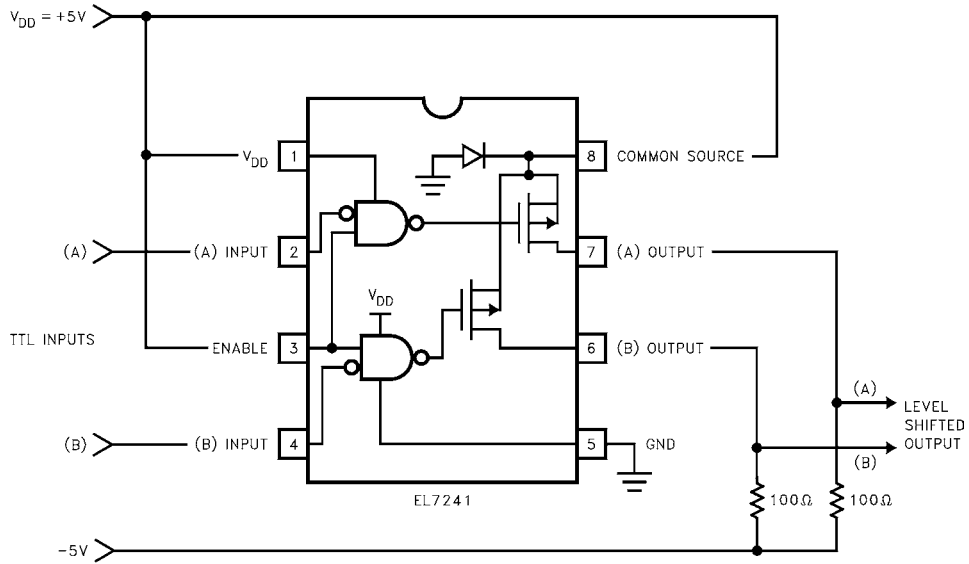


Typical Applications (Continued)

Bi-Level Step Generator

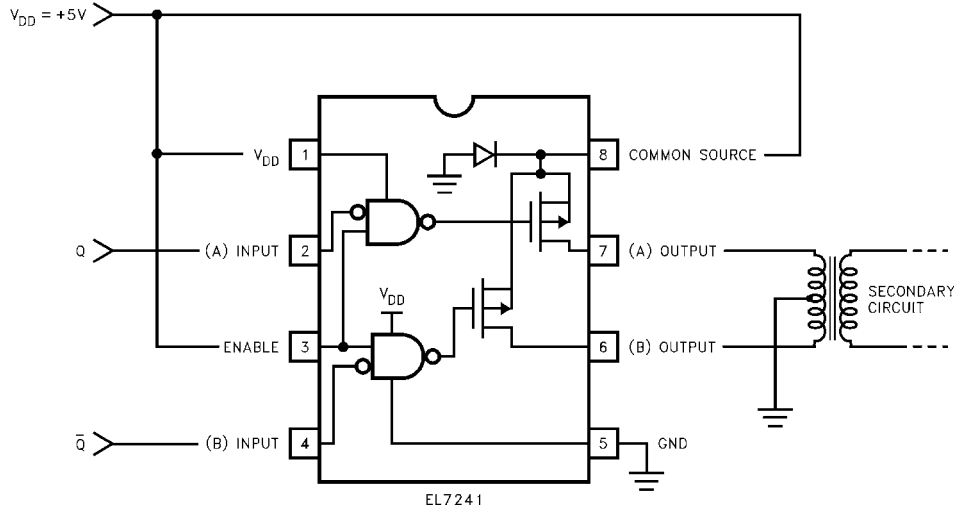


Level Shifter

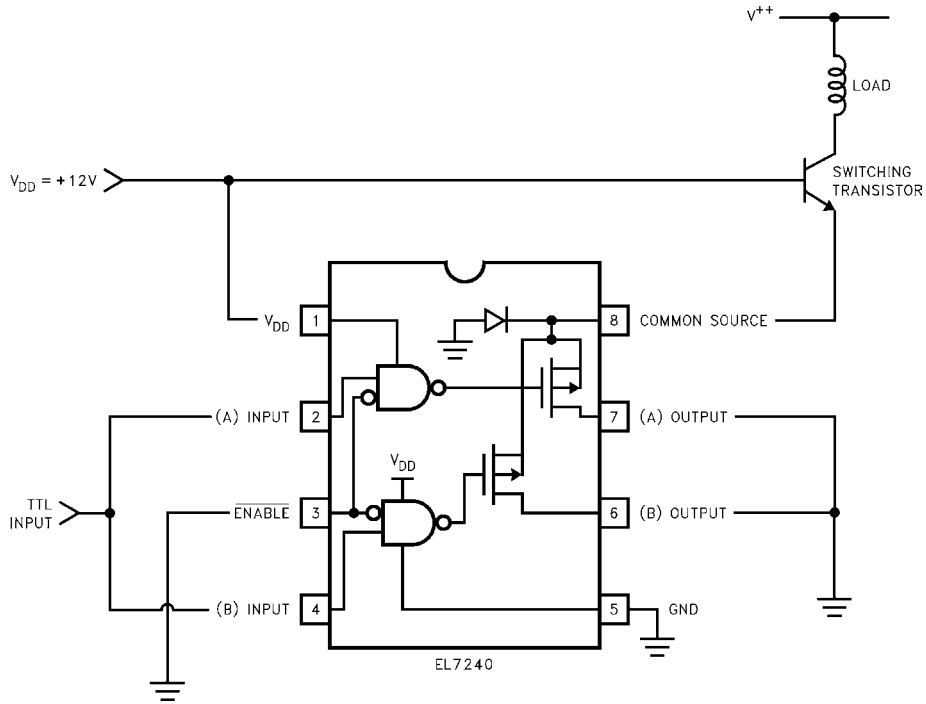


Typical Applications (Continued)

Push-Pull Transformer Driver

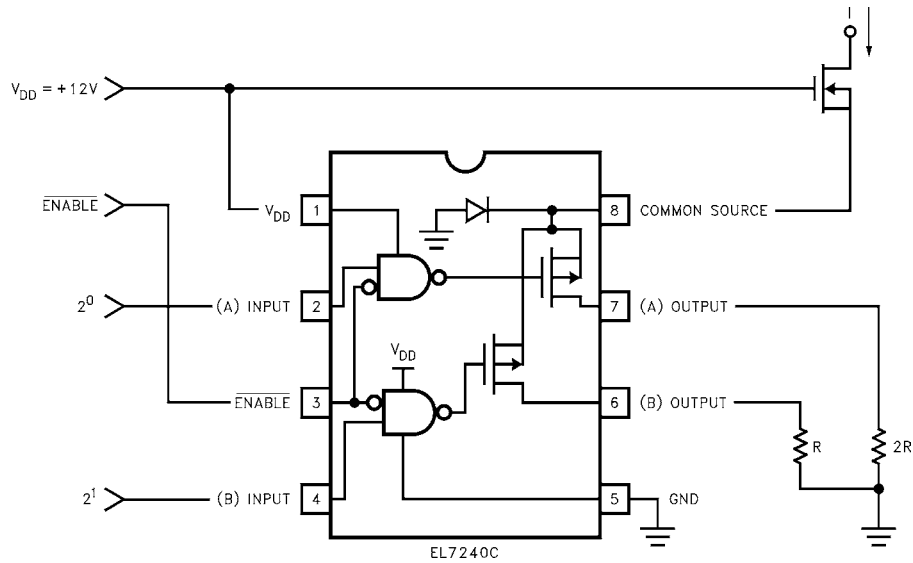


High Speed Bipolar Drive Circuit



Typical Applications (Continued)

“Two-Bit” Current Source with Gating



All Intersil U.S. products are manufactured, assembled and tested utilizing ISO9000 quality systems.
Intersil Corporation's quality certifications can be viewed at www.intersil.com/design/quality

Intersil products are sold by description only. Intersil Corporation reserves the right to make changes in circuit design, software and/or specifications at any time without notice. Accordingly, the reader is cautioned to verify that data sheets are current before placing orders. Information furnished by Intersil is believed to be accurate and reliable. However, no responsibility is assumed by Intersil or its subsidiaries for its use; nor for any infringements of patents or other rights of third parties which may result from its use. No license is granted by implication or otherwise under any patent or patent rights of Intersil or its subsidiaries.

For information regarding Intersil Corporation and its products, see www.intersil.com